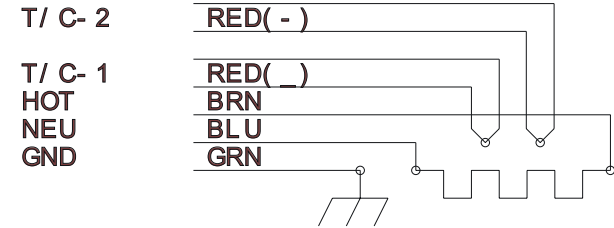
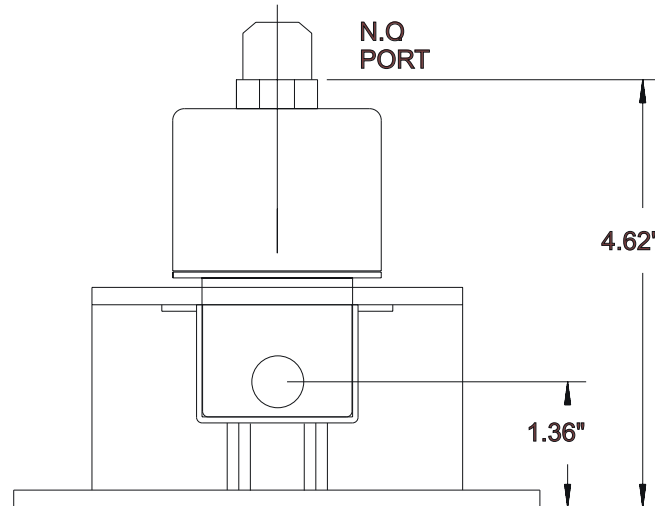
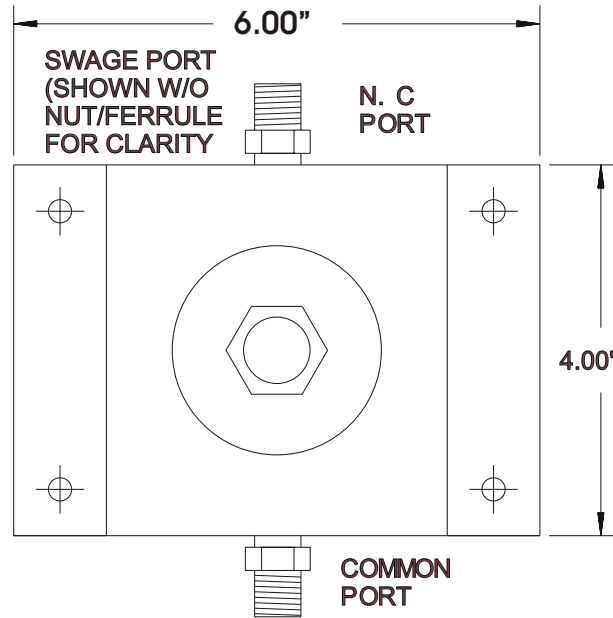




Emissions Sample Transport Systems
 1091 Wheaton Ave. Troy, MI 48083
 248-528-9640 fax 248-528-9643
 www.atmoseal-eng.com



EU/CE COLOR CODES, 240 VAC HEATER (APPX 60 VA). 24 VCD 3-WAY VALVE

		1091 WHEATON AVE. TROY, MI 48083 V: 248-528-9640 F: 248-528-9643 ATMOSEAL-ENG.COM	
PART #	SINGLE VALVE HEATER		
DWG #	VAP1PDF	SCALE	
DRAWN BY		DATE	
CHECKED BY		DATE	